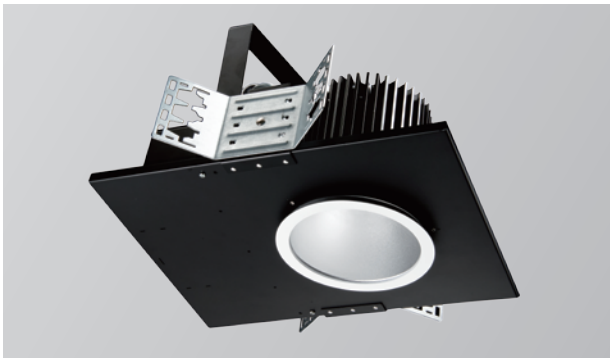


ADVANCED HIGH CEILING  
**6" REV - New Construction**



6-inch aperture high lumen recessed downlight with lumen output 3470 – 10450lm for new and retrofit applications. Additional feature includes ColorFlip™ tunable white.

**- ColorFlip™ (Please refer to Tunable White Version spec sheet)**

Utilize latest flip chip technology for optimum efficacy, delivering consistent high lumen output with 105LPW at CRI85+ when color tuning from 2700K to 6500K. Compatible to all 0-10V and DMX dimming controls.



Quantity		Type	
Project		Note	

**Electrical System**

- 3990lm (40W)
- 6490lm (60W)
- 8040lm (80W)
- 10450lm (100W)
- Power Input: 120V or 277V
- Operating Temperature: -40°F~112°F
- Surge Protection: 4KV
- Emergency Pack with Mounting Plate: Bodine BSL20LV

**LED Technology**

- 2700K, 3000K, 3500K, 4000K, 5000K
- 75 CRI, 85 CRI, 93 CRI
- Beam Angle: 40°, 60°, 100° (with diffuser)
- Rated Life > 60,000 hours (L70)

**Advanced Dimming**

(Proprietary VX Driver is incorporated to all dimming options for video flicker-free lighting)

- **Standard 0-10V** dims to 10%
- **Superior 0-10V:** dim to 1 %
- **DMX:** high resolution dims to 0.1% (Supports ANSI E1.20 RDM protocol)
- **TRIAC:** Line-voltage phase control, dims to 1% (**120V only**)
- **3-wire:** LUTRON Hi Lume 3-wire, dims to 1% (**UNV only**)
- **ECOsistem:** LUTRON Hi Lume ECOsistem, dims to 1 % (**UNV only**)

**New Construction**

- Non-IC Rated, insulation must be kept > 1ft from housing.
- Aperture: 6.3" (160mm)
- Oversize Trim: 7.2" (183mm)
- Ceiling Cutout: 6.7" (170mm)
- Maximum Ceiling Thickness: 2" (50.8mm)
- Light engine, optics, and driver(s) accessible from below ceiling
- Weight: 13.22 lbs

**\*Note: C-Channel / Mounting Channels / T-Bar Hangers are purchased from a third party.**

**Warranty**

- 5 years limited warranty.

**Listing**

- ETL Listed
- FCC



# 6" REV - New Construction



## How To Specify:

**Ordering Example: RS6N-80-308-120-SPV-40-BLK**

**4-5 weeks lead time on over 75% of specifications.**

Model	Wattage	CCT / CRI	Voltage	Dimming
<b>RS6N</b>				
<b>RS6N</b> REV 6 inch with New Construction frame	<b>40</b> 40W <b>60</b> 60W <b>80</b> 80W <b>100</b> 100W	<b>278</b> 2700K / CRI85 <b>308</b> 3000K / CRI85 <b>358</b> 3500K / CRI85 <b>408</b> 4000K / CRI85 <b>507</b> 5000K / CRI75 <b>279</b> 2700K / CRI93 <b>309</b> 3000K / CRI93 <b>359</b> 3500K / CRI93	<b>120</b> 120V <b>277</b> 277V	<b>NOD</b> Non-Dimming <b>STV</b> Standard 0-10V dims to 10% <b>SPV</b> Superior 0-10V dims to 1% <b>DMX</b> DMX dims to 0.1% (XLR Sockets) <b>DMX(RJ45)</b> DMX dims to 0.1% (RJ45 Sockets) <b>TRC*</b> TRIAC dims to 1% (120V ONLY) <b>ECO</b> LUTRON ECOsystem dims to 1% (UNV ONLY) <b>3WIR</b> LUTRON 3-wire dims to 1% (UNV ONLY)

\*Option not available for 100W.

Beam Angle	Finish	Accessories
<b>40</b> 40° <b>60</b> 60° <b>WD*</b> 100° (with diffuser)	<b>BLK</b> Black <b>WHT</b> White	<b>SPD</b> <sup>1</sup> Surge Protector <b>EMP</b> Remote Emergency Pack <b>DF</b> <sup>2</sup> Diffuser <b>SCA610</b> Sloped Ceiling Adapter 8°-12° <b>SCA615</b> Sloped Ceiling Adapter 13°-17° <b>SCA620</b> Sloped Ceiling Adapter 18°-22° <b>SCA625</b> Sloped Ceiling Adapter 23°-27°

\*Please factor in change in lumen output with diffuser (-20% with DF)

<sup>1</sup> Surge protector for up to 10KV. Applicable for unstable mains or facilities using high power machineries.  
<sup>2</sup> Please factor in change in lumen output with diffuser (-20% with DF).

# 6" REV - New Construction



## Delivered Lumens\*

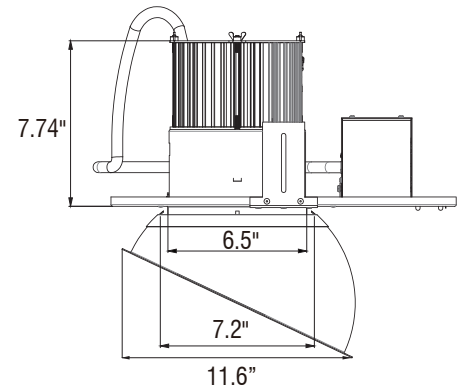
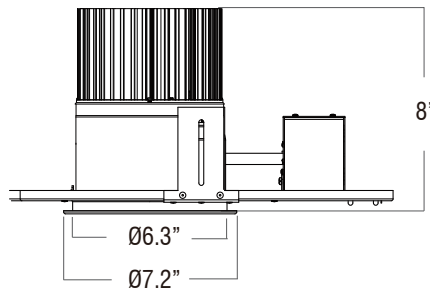
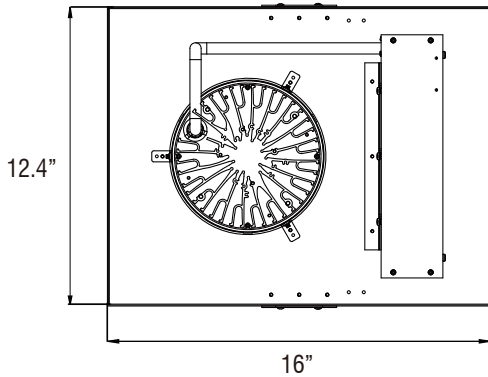
Wattage \ CCT	40W	60W	80W	100W
	Beam Angle: 40°			
5000K	3990 lm	6490 lm	8040 lm	10450 lm
4000K	3895 lm	6180 lm	7845 lm	9250 lm
3500K	3710 lm	5890 lm	7620 lm	9130 lm
3000K	3640 lm	5780 lm	7195 lm	8900 lm
2700K	3470 lm	5500 lm	6725 lm	8210 lm

\*Tolerance ± 8%

## Current Consumption

Wattage \ Volt	120V	277V
40W	0.37A	0.16A
60W	0.55A	0.24A
80W	0.73A	0.32A
100W	0.92A	0.40A

## Dimensions



Sloped ceiling adapter

**DMX Requirements**

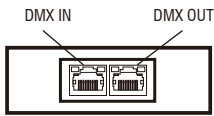
The 6" REV LED fixture with DMX is a **ONE CHANNEL DMX unit**.

**When placing order, please indicate DMX address.** (The DMX address will be listed on the back of the fixture.)

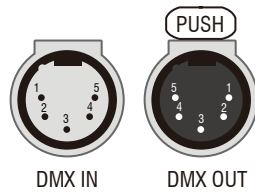
The LED fixture provide RJ45 Socket or XLR socket to connect. (DMX cable NOT included.)

The final fixture should be terminated by the use of DMX Terminator (by others).

RJ45 Sockets



XLR Sockets



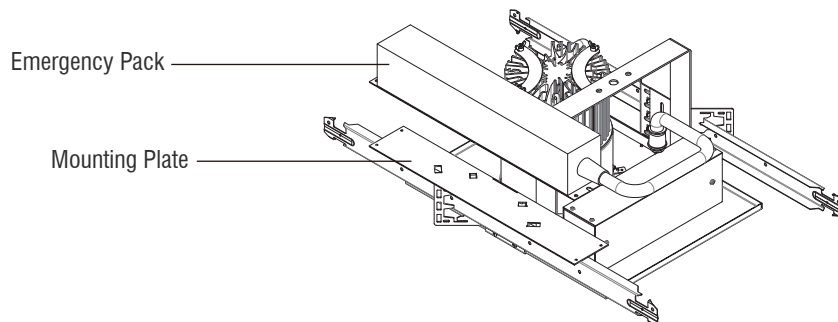
CONNECTION	RJ45 (CAT5e)	5-PIN XLR
Common	WHITE/BROWN(PIN7) & BROWN(PIN 8)	PIN 1
Signal -	ORANGE(PIN 2)	PIN 2
Signal +	WHITE/ORANGE(PIN 1)	PIN 3
Spare	-	PIN 4
Spare	-	PIN 5

**Compatible TRIAC Dimmer List**

LUTRON PART NO.

RRD-6NA-	RRT-G5NEW-	RRT-GH	HQRD-10ND-	HQRT-GH	HQRD-HN	PD-10NXD-
RRD-6ND	RRT-G25LW-	HQRD-6NA-	MRF2-6ND-120-	HQRT-G25LW-	GT-250M-	PD-5NE-
RRD-10ND-	RRD-HN	HQRD-6ND-	MRF2S-6ND-120-	HQRT-G5NEW-	GTJ-250M-	

**Mounting Plate for Emergency Pack**



**Emergency Pack Lumen Output Table**

CCT	2700K	3000K	4000K	5000K
Lumen	1640 lm	1760 lm	1890 lm	1950 lm